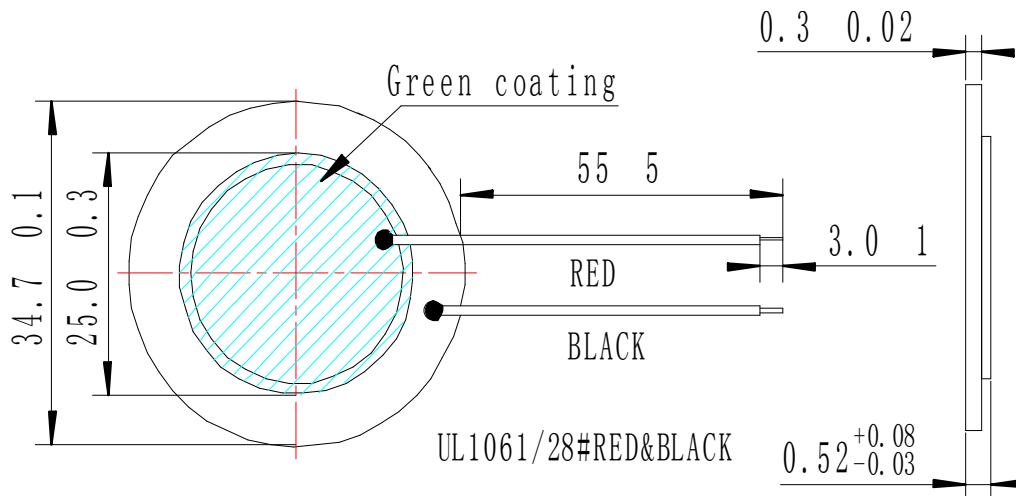


PIEZO ELEMENT SPECIFICATIONS

1.MODEL: AW4E34.7G-30EBL1Z

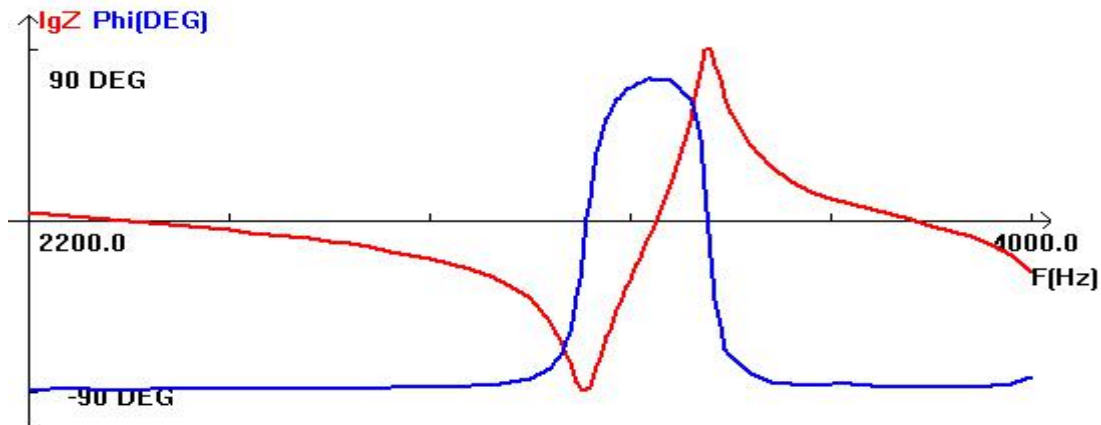
Item	Unit	Standard	(Test condition): T=25°C
(1)Resonant frequency	kHz	3.0±0.3	PV70A
(2)Main electrostatic capacity	pF	40000±30%	Digital electric bridge At 120Hz/1V
(3)Feedback electrostatic capacity	pF
(4)Resonant impedance	Ω	350 MAX.	PV70A
(5)Resonant impedance	Ω
(6)Metal plate material	...	SUS304	
(7)Metal plate diameter	mm	34.7±0.1	Vernier caliper
(8)Metal plate thickness	mm	0.3±0.02	Micrometer
(9)Ceramic diameter	mm	25.0±0.3	Vernier caliper
(10)Total height	mm	0.52 ^{+0.08} _{-0.03}	Micrometer
(11)Insulation resistance	MΩ	100 MIN.	Insulation resistance tester At 50V
(12)Maximum input voltage	Vp-p	30	...
(13)Operating temperature range	°C	-20 to +70	...
(14)Storage temperature range	°C	-30 to +80	...
(15)Lead wires	...	UL1061 AWG28#	...

2、 APPEARANCE AND DIMENSIONS:



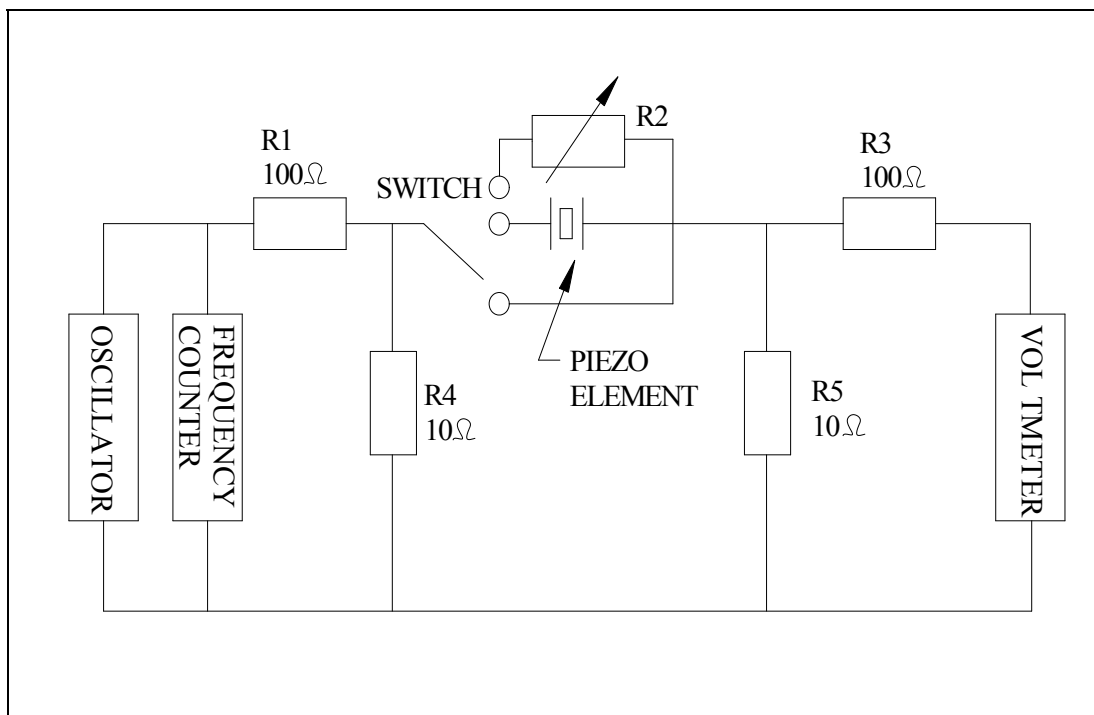
Remark: The Pb in ceramic is exempt, other ingredients are all ROHS compliant

3、 TYPICAL FREQUENCY RESPONSE CURVE



4、 MEASURING PROCEDURE

The node held with a measuring terminal, the resonant frequency and resonant impedance are measured in the constant-voltage circuit.



5、 修订记录(revision history)

文件修订记录 File revision history			
修订时间 Revsion time	修订版本 Version of revision	内部 ECR 编号 The number of ECR	修订内容 Contents of revision
2014.11.4	A1	N-ECR-1400712	变更第二项图纸标注导线长度，导线有 120mm 改为金属片以外 55mm.

制作/日期 Accomplished by / Date		确认/日期 Approved by / Date	
---------------------------------	--	-----------------------------	--